



US00D910490S

(12) **United States Design Patent**  
**Lim et al.**

(10) **Patent No.:** **US D910,490 S**

(45) **Date of Patent:** **\*\* Feb. 16, 2021**

(54) **AUTOMOTIVE VEHICLE**

(71) Applicant: **KARMA AUTOMOTIVE LLC**,  
Irvine, CA (US)

(72) Inventors: **Samuel Floro Lim**, Irvine, CA (US);  
**Zhinan Bryan Liu**, Costa Mesa, CA  
(US); **Jacques Flynn**, Long Beach, CA  
(US); **Raul Cenán**, Marina Del Rey,  
CA (US); **Andreas Thurner**, Irvine,  
CA (US)

(73) Assignee: **Karma Automotive LLC**, Irvine, CA  
(US)

(\*\*) Term: **15 Years**

(21) Appl. No.: **29/689,373**

(22) Filed: **Apr. 29, 2019**

(51) **LOC (13) Cl.** ..... **12-08**

(52) **U.S. Cl.**  
USPC ..... **D12/92**

(58) **Field of Classification Search**  
USPC ..... D12/86, 90-92; D21/424, 433, 434;  
296/181.1-181.5, 183.1  
CPC ..... B62D 25/00; B62D 25/06; B62D 33/00;  
B62D 35/00

See application file for complete search history.

(56) **References Cited**

**U.S. PATENT DOCUMENTS**

D574,754 S \* 8/2008 Miniati ..... D12/92  
D690,620 S \* 10/2013 Scheinhutte ..... D12/92

D786,135 S \* 5/2017 Burki ..... D12/92  
D797,606 S \* 9/2017 Oh ..... D12/92  
D808,302 S \* 1/2018 Oh ..... D12/92  
D821,923 S \* 7/2018 Lee ..... D12/92  
D826,781 S \* 8/2018 Scheinhutte ..... D12/91  
D836,031 S \* 12/2018 Lim ..... D12/92  
D855,497 S \* 8/2019 Kim ..... D12/91  
D857,556 S \* 8/2019 Scheinhutte ..... D12/91  
D858,354 S \* 9/2019 Scheinhutte ..... D12/91  
D858,355 S \* 9/2019 Scheinhutte ..... D12/91  
D877,658 S \* 3/2020 Burki ..... D12/91

\* cited by examiner

*Primary Examiner* — Melody N Brown

(74) *Attorney, Agent, or Firm* — Gordon Rees Scully;  
Mansukhani, LLP

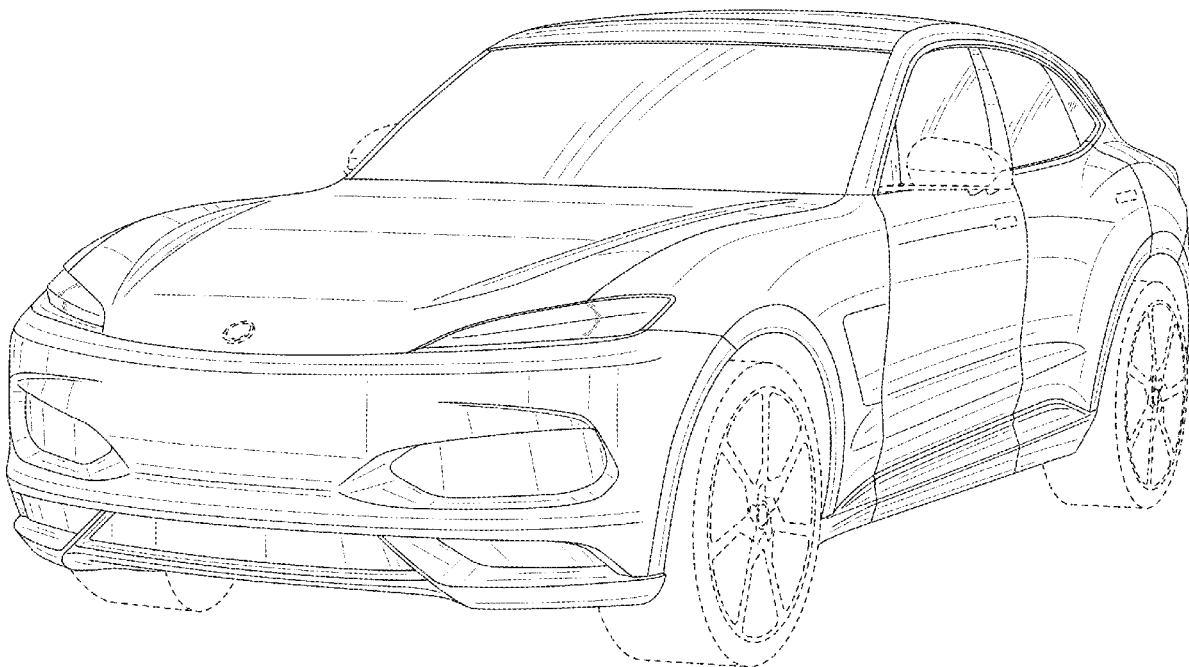
(57) **CLAIM**

The ornamental design for an automotive vehicle, as shown  
and described.

**DESCRIPTION**

FIG. 1 is a front and right side perspective view of an  
automotive vehicle showing our new design;  
FIG. 2 is a front elevational view thereof;  
FIG. 3 is a rear elevational view thereof;  
FIG. 4 is a right side elevational view thereof;  
FIG. 5 is a left side elevational view thereof;  
FIG. 6 is a top plan view thereof; and,  
FIG. 7 is a rear and right side perspective view thereof.  
The broken lines shown throughout the drawing views are  
for illustrative and environmental purposes and form no part  
of the claimed design.

**1 Claim, 6 Drawing Sheets**



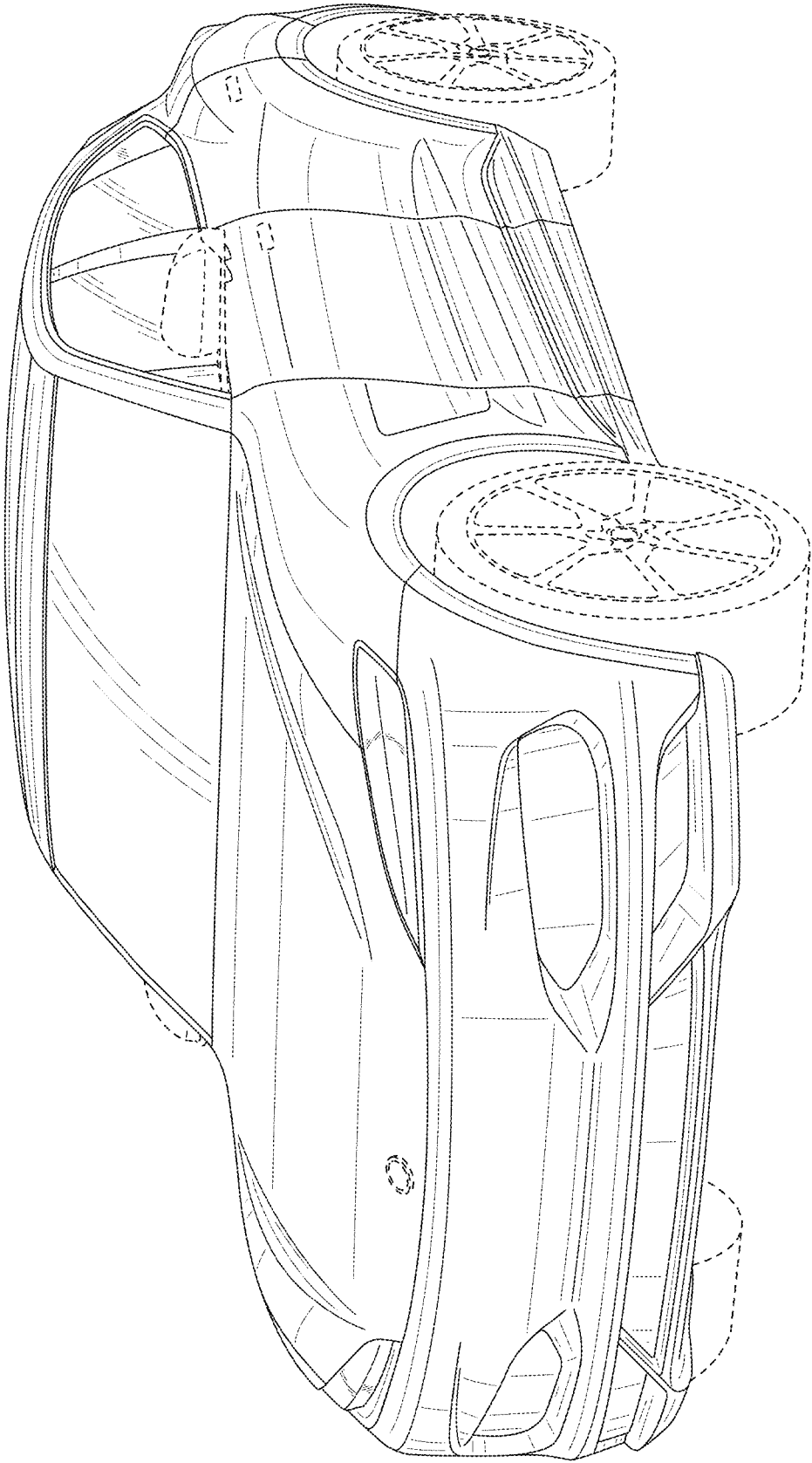


FIG. 1

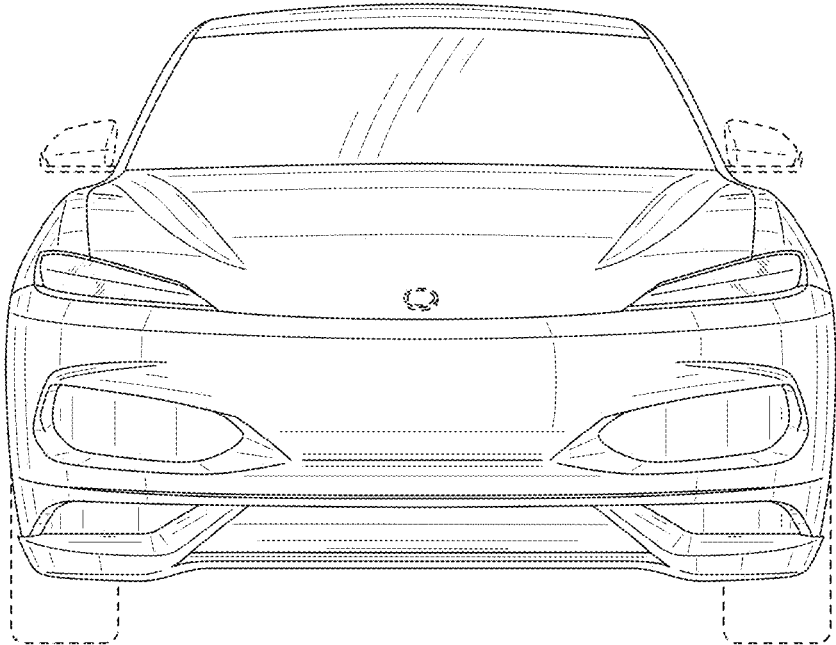


FIG. 2

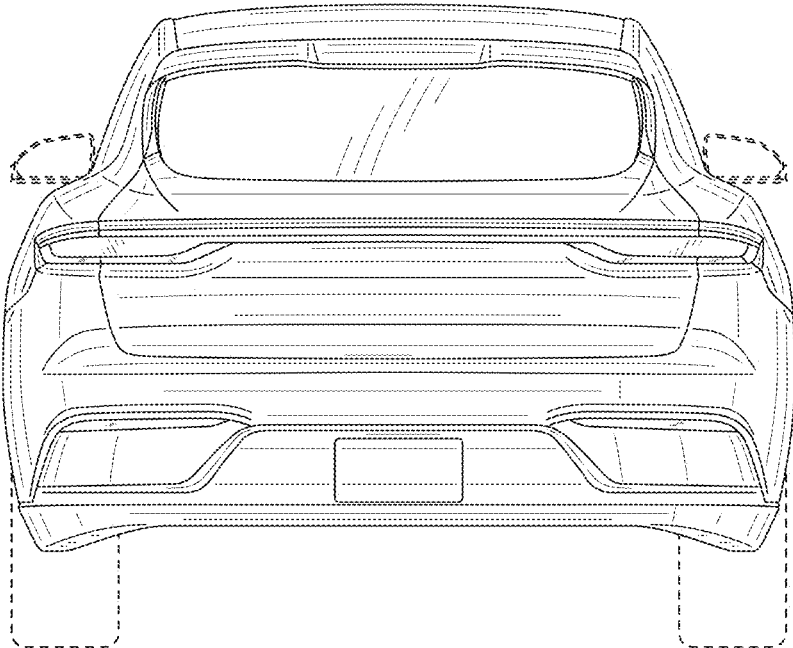


FIG. 3

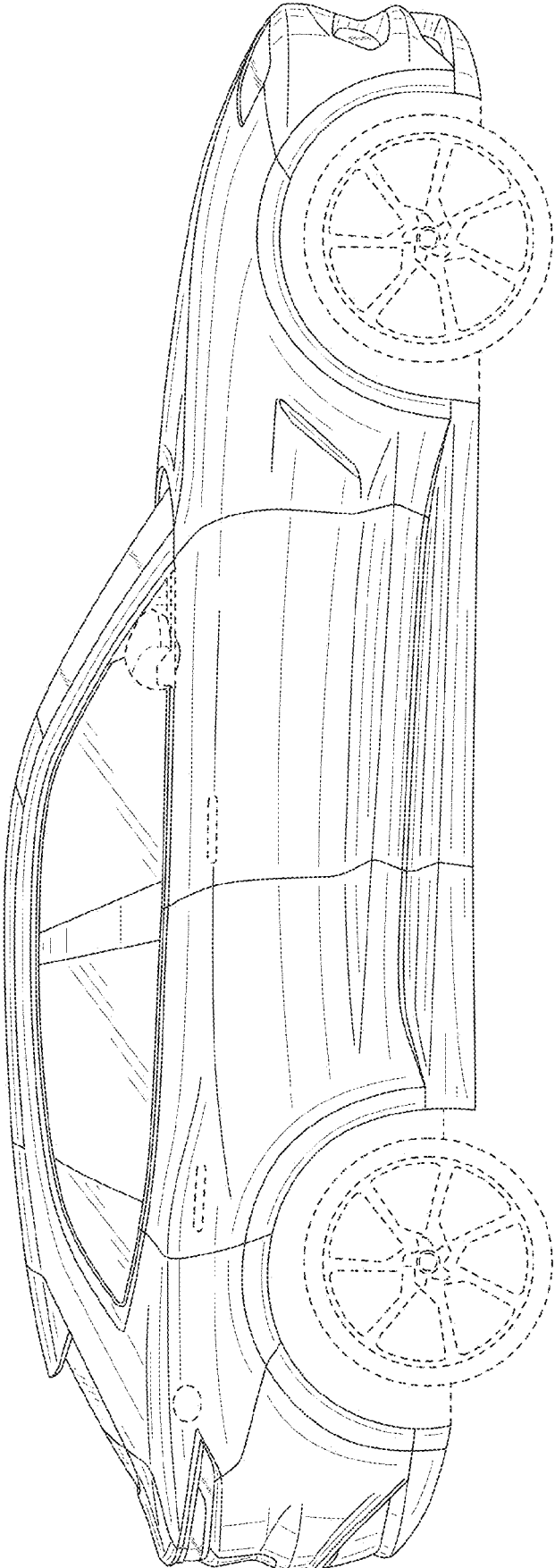


FIG. 4

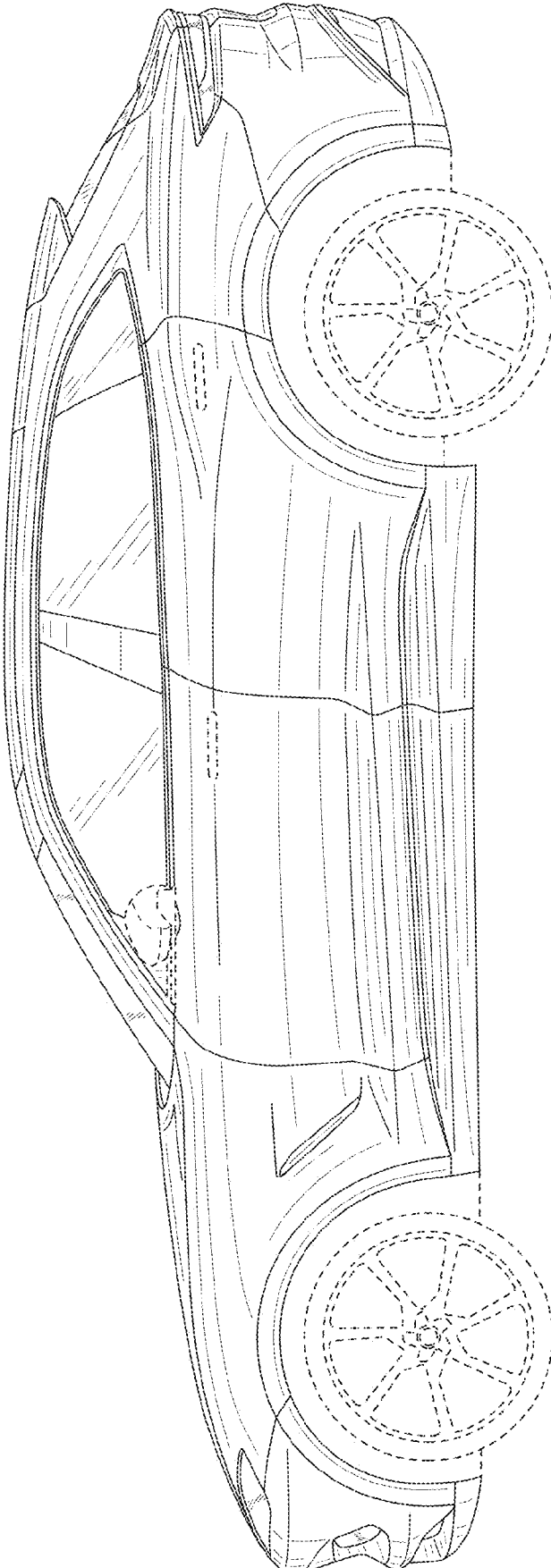


FIG. 5

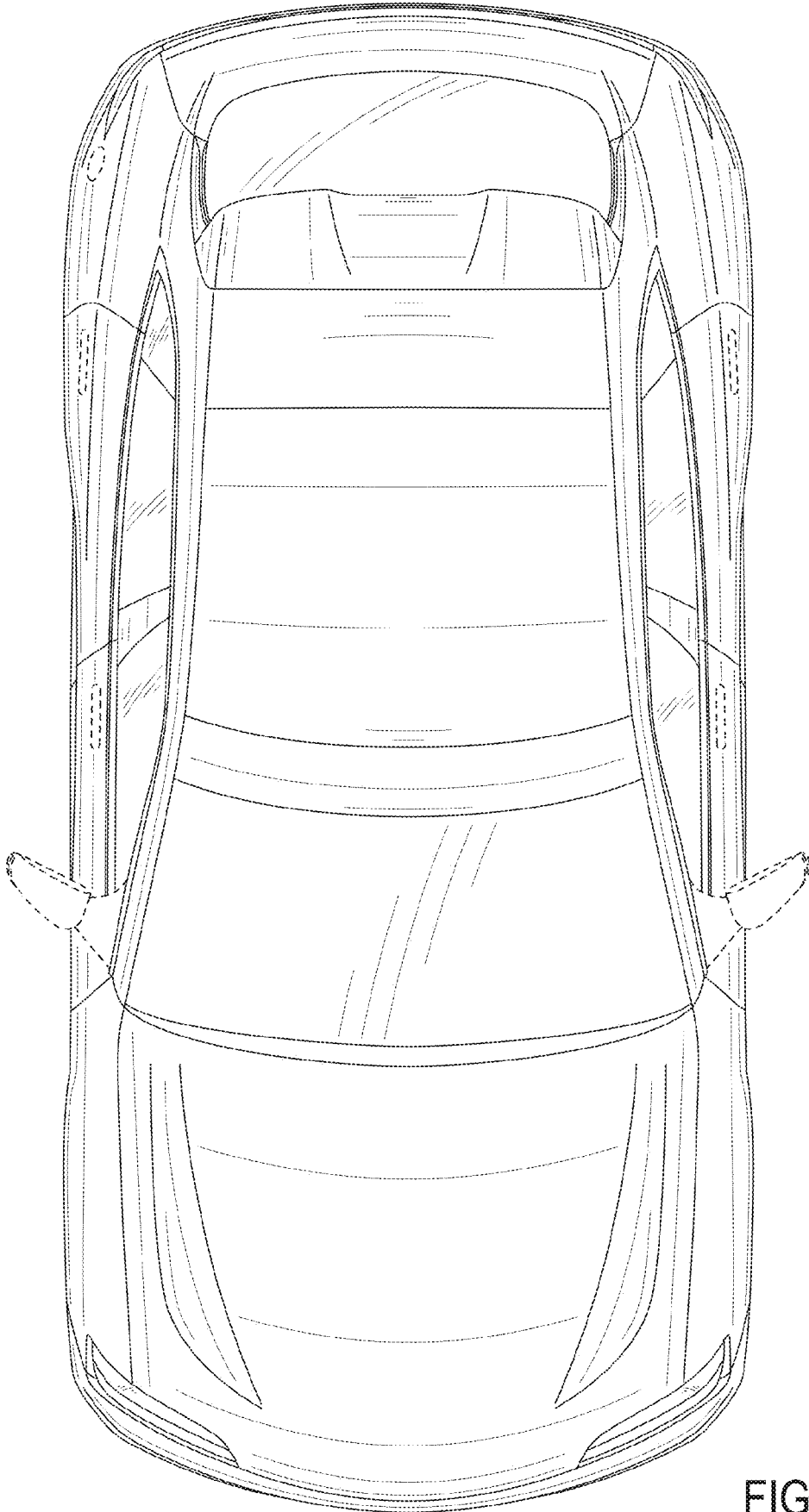


FIG. 6

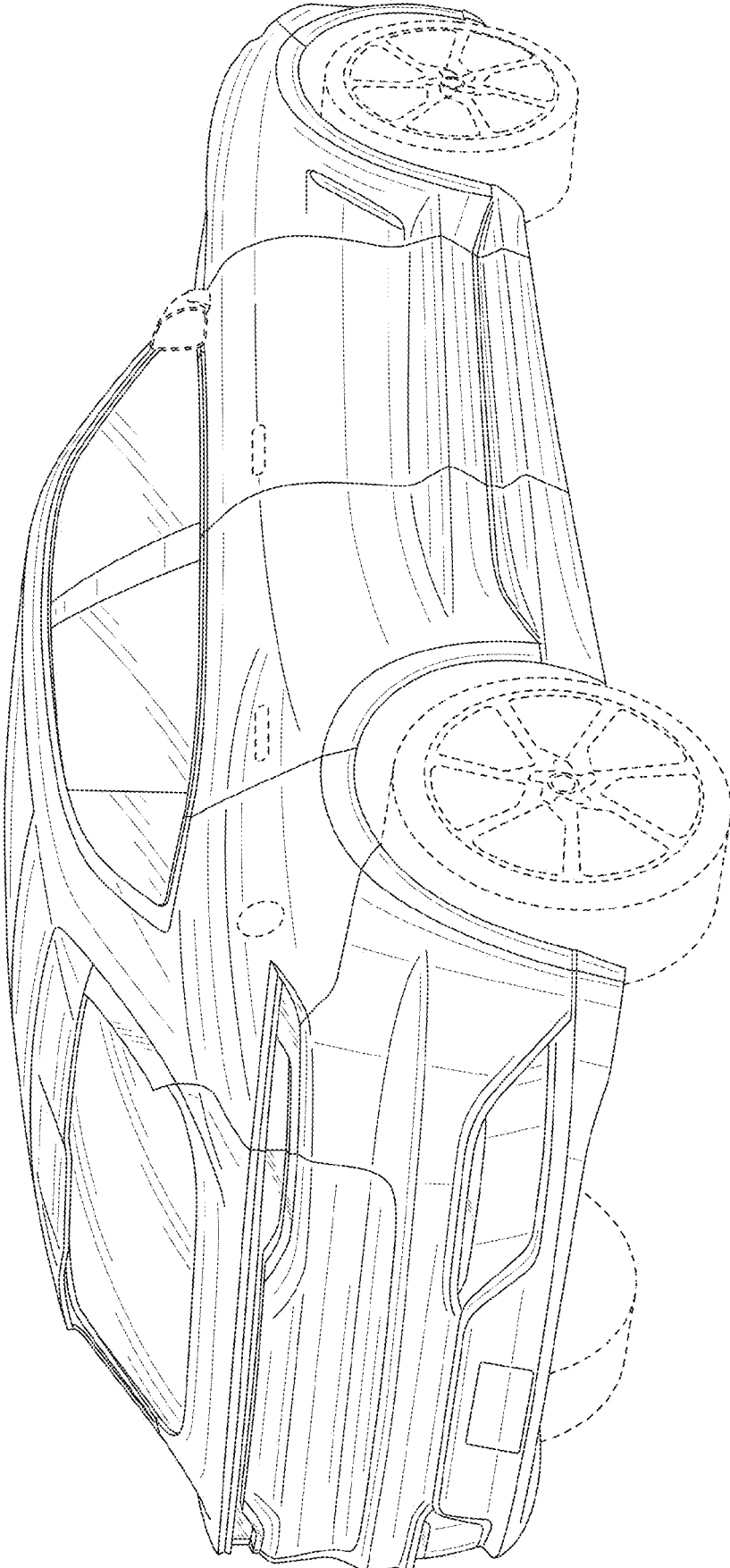


FIG. 7